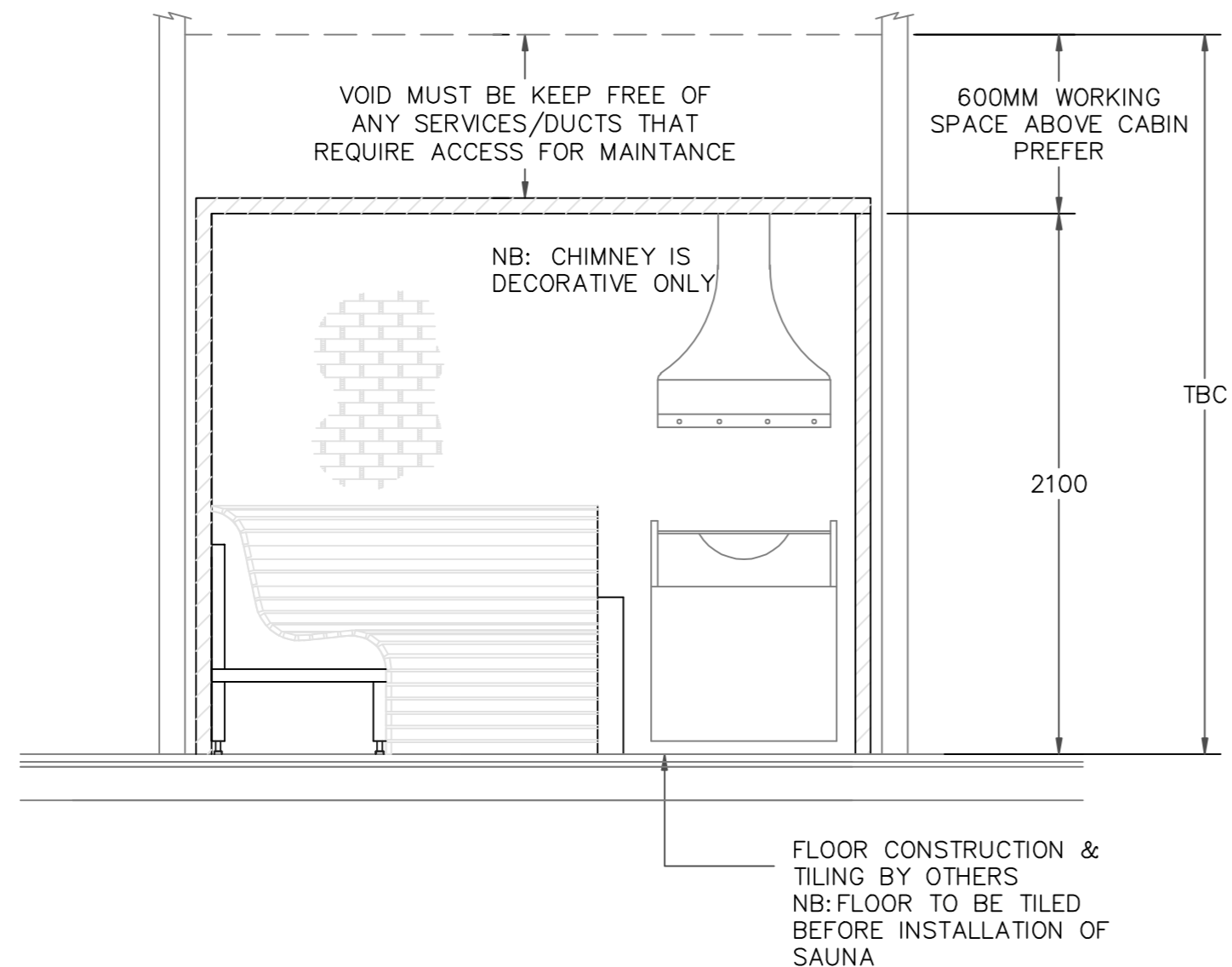


RA BRICK SAUNA PLAN



RA BRICK SAUNA SECTION

RA BRICK SAUNA SERVICE REQUIREMENTS

THE SAUNA CABIN SHOULD BE MOUNTED ON A FLOOR THAT IS MADE OF A MATERIAL THAT IS IMPERVIOUS TO MOISTURE. THE FLOOR NEEDS TO BE LEVEL ROUND THE PERIMETER.

SAUNA FLOOR TO BE TILED BY OTHERS BEFORE SAUNA INSTALLATION. GROUT TO BE EPOXY GROUT

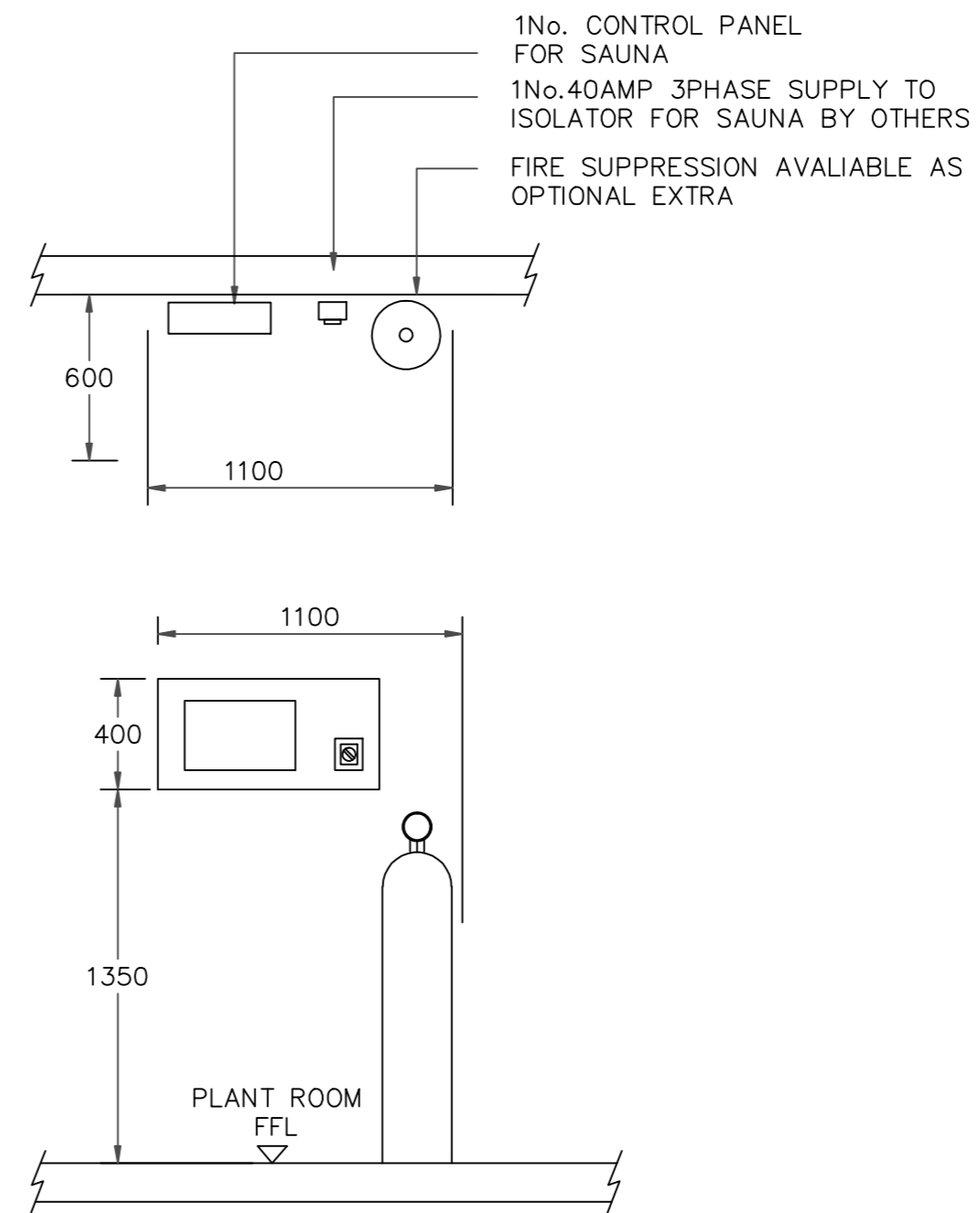
THE SAUNA COMES COMPLETE WITH ITS OWN VENTS. THESE SHOULD NOT BE VENTED TO OUTSIDE

SAUNA CONTROL PANEL TO BE MOUNTED IN PLANT ROOM.

3 PHASE NEUTRAL SUPPLY AT 40 AMPS PER PHASE SUPPLIED TO AN ISOLATOR BY OTHERS FOR SAUNA. ISOLATOR TO BE POSITIONED WITHIN 1 METRE OF CONTROL PANEL.

TEMPERATURE - 80-95°C

PLEASE NOTE THAT SERVICE REQUIREMENTS ARE DEPENDANT UPON ROOM SIZE.



RA BRICK SAUNA PLANT

NOTES:

All dimensions must be checked on site and not scaled from this drawing.

This drawing is the copyright of Aachen Wellness Limited. and must not be copied, in part or in full, or the contents divulged to any third party without the written approval of Aachen Wellness Limited.

NB: A MINIMUM ALLOWANCE OF 600MM OF SEATING SPACE SHOULD BE ALLOWED FOR EACH PERSON

Rev	Date	Amendments	By
 <i>Aachen Wellness.</i>			
Project Title			
STANDARD DRAWINGS			
Drawing Title			
RA BRICK SAUNA SPECIALIST			
Date		Scale	
22.07.10		1:25@A2	
Status			Drawn by
FOR COMMENT			RL
Drawing No.			Rev
03			*