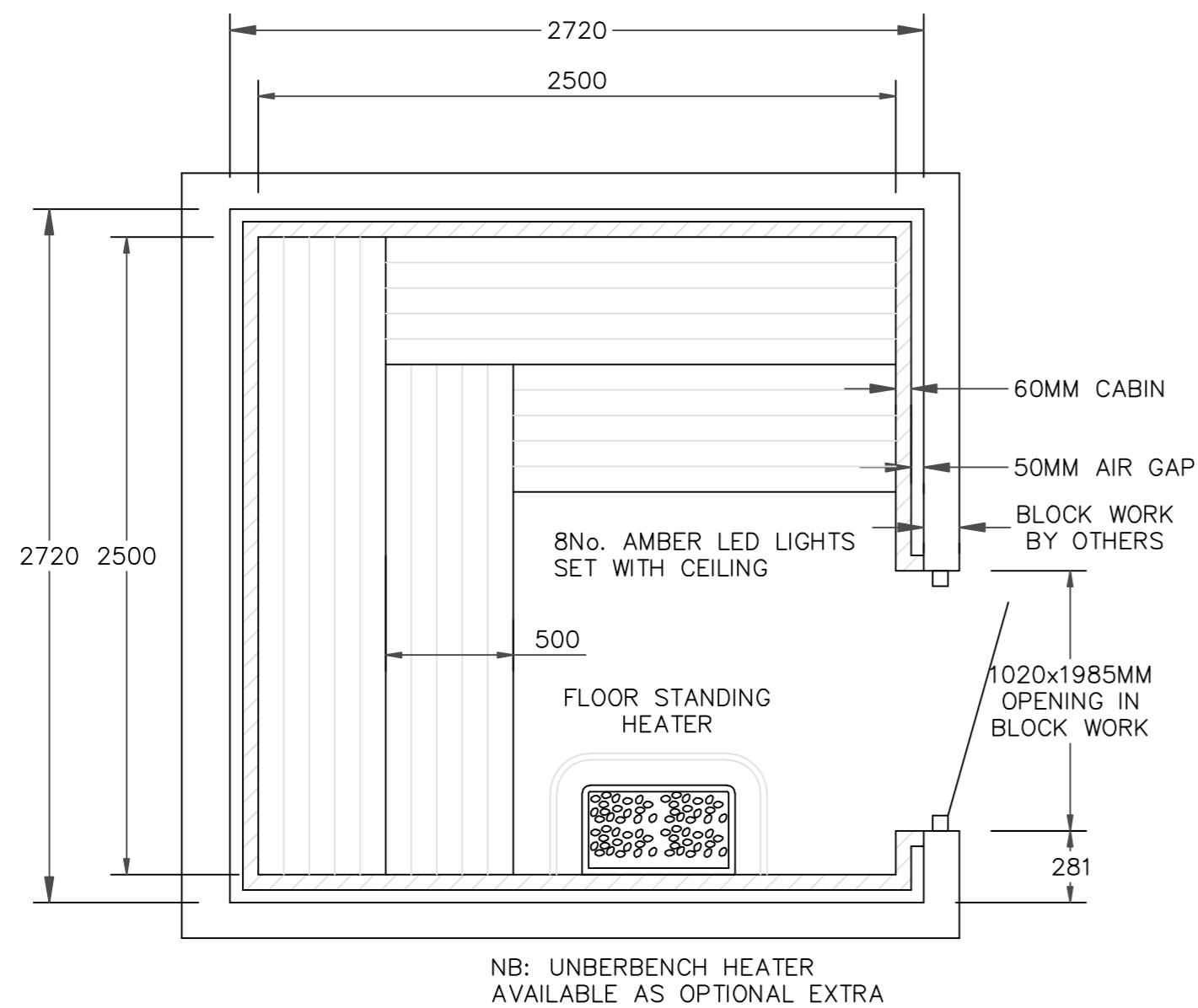


NOTES:

All dimensions must be checked on site and not scaled from this drawing.

This drawing is the copyright of Aachen Wellness Limited. and must not be copied, in part or in full, or the contents divulged to any third party without the written approval of Aachen Wellness Limited.

NB: A MINIMUM ALLOWANCE OF 600MM OF SEATING SPACE SHOULD BE ALLOWED FOR EACH PERSON



ISIS SAUNA PLAN

ISIS SAUNA SERVICE REQUIREMENTS

THE SAUNA CABIN SHOULD BE MOUNTED ON A FLOOR THAT IS MADE OF A MATERIAL THAT IS IMPERVIOUS TO MOISTURE. THE FLOOR NEEDS TO BE LEVEL ROUND THE PERIMETER.

SAUNA FLOOR TO BE TILED BY OTHERS BEFORE SAUNA INSTALLATION. GROUT TO BE EPOXY GROUT

THE SAUNA COMES COMPLETE WITH ITS OWN VENTS. THESE SHOULD NOT BE VENTED TO OUTSIDE

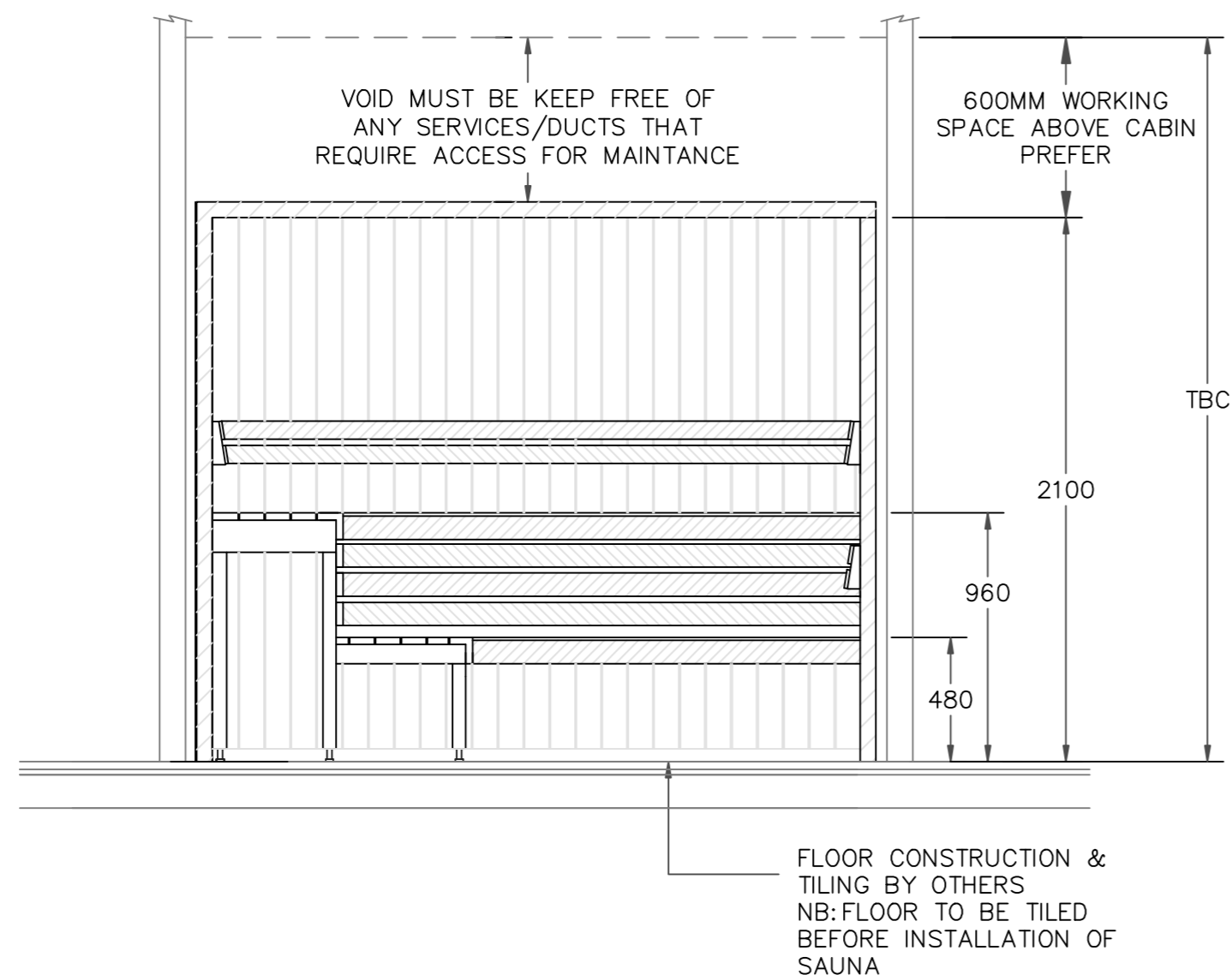
SAUNA CONTROL PANEL TO BE MOUNTED IN PLANT ROOM.

3 PHASE NEUTRAL SUPPLY AT 40 AMPS PER PHASE SUPPLIED TO AN ISOLATOR BY OTHERS FOR SAUNA. ISOLATOR TO BE POSITIONED WITHIN 1 METRE OF CONTROL PANEL.

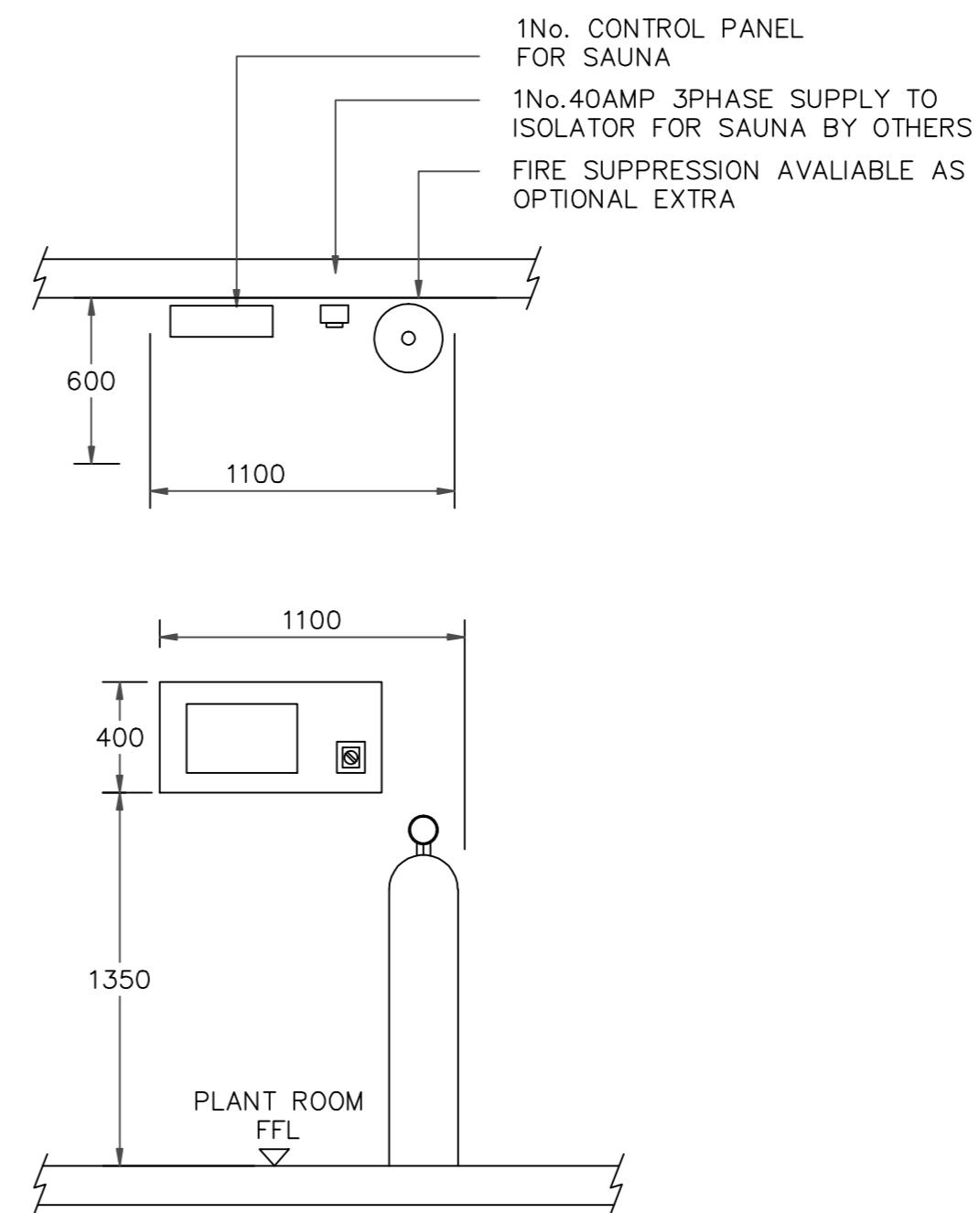
15MM COLD WATER SUPPLY (PRESSURE BETWEEN 1 – 5.8 BAR) REQUIRED TO A STOP TAP IN PLANT ROOM BY OTHERS.

TEMPERATURE – 80–95°C


PLEASE NOTE THAT SERVICE REQUIREMENTS ARE DEPENDANT UPON ROOM SIZE.



ISIS SAUNA SECTION



ISIS SAUNA PLANT

Rev	Date	Amendments	By
			
Project Title			
STANDARD DRAWINGS			
Drawing Title			
ISIS SAUNA STANDARD			
Date	Scale		
22.07.10	1:25@A2		
Status	Drawn by		
FOR COMMENT	RL		
Drawing No.	Rev		
01	*		